



Picocoax[®]

miniature coaxial cables

www.axon-cable.com

axon'
cable & interconnect



Picocoax[®] miniature coaxial cables

September, 2016

Contents

Single Picocoax[®] wires

GENERAL INFORMATION

| | |
|---|---|
| General information | 4 |
| High quality materials | 4 |
| From single wires to composite cables | 4 |
| Applications | 4 |
| Identification code | 5 |
| Picocoax [®] wires: key features | 5 |

TECHNICAL DATASHEETS

| | |
|--|----|
| 36 AWG Picocoax [®] wire, FEP dielectric, 80 pF/m: PCX 36 K 08 xx | 6 |
| 36 AWG Picocoax [®] wire, FEP dielectric, 100 pF/m: PCX 36 K 10 xx | 7 |
| 38 AWG Picocoax [®] wire, Celloflon [®] dielectric, 60 pF/m: PCX 38 C 06 xx | 8 |
| 38 AWG Picocoax [®] wire, FEP dielectric, 100 pF/m: PCX 38 K 10 xx | 9 |
| 40 AWG Picocoax [®] wire, Celloflon [®] dielectric, 50 pF/m: PCX 40 C 05 xx | 10 |
| 40 AWG Picocoax [®] wire, FEP dielectric, 80 pF/m: PCX 40 K 08 xx | 11 |
| 40 AWG Picocoax [®] wire, FEP dielectric, 100 pF/m: PCX 40 K 10 xx | 12 |
| 42 AWG Picocoax [®] wire, Celloflon [®] dielectric, 50 pF/m: PCX 42 C 05 xx | 13 |
| 42 AWG Picocoax [®] wire, FEP dielectric, 100 pF/m: PCX 42 K 10 xx | 14 |
| 44 AWG Picocoax [®] wire, Celloflon [®] dielectric, 40 pF/m: PCX 44 C 04 xx | 15 |
| 44 AWG Picocoax [®] wire, FEP dielectric, 110 pF/m: PCX 44 K 11 xx | 16 |
| 46 AWG Picocoax [®] wire, FEP dielectric, 100 pF/m: PCX 46 K 10 xx | 17 |

Multipicocoax[®] cables

GENERAL INFORMATION

| | |
|--|----|
| Flexibility and resistance | 18 |
| Production: from prototypes to large volumes | 18 |
| Test capabilities | 18 |
| Mechanical characteristics | 19 |
| Chemical characteristics of the outer jacket..... | 19 |
| Interconnection systems | 20 |
| Multipicocoax [®] cables: key features..... | 20 |
| Identification code..... | 21 |

TECHNICAL DATASHEETS

| | |
|---|----|
| Bundles of 48 Picocoax [®] wires - PC 48 Y | 22 |
| Bundles of 64 Picocoax [®] wires - PC 64 Y | 23 |
| Bundles of 80 Picocoax [®] wires - PC 80 Y | 24 |
| Bundles of 96 Picocoax [®] wires - PC 96 Y | 25 |
| Bundles of 128 Picocoax [®] wires - PC 128 Y | 26 |
| Bundles of 192 Picocoax [®] wires - PC 192 Y | 27 |
| Bundles of 256 Picocoax [®] wires - PC 256 Y | 28 |



Picocoax[®] wires soldered onto a PCB

*THIS CATALOGUE IS INTENDED AS A GUIDE TO HELP SELECTION OF AXON' PRODUCTS.
THE INFORMATION IN THIS CATALOGUE IS ACCURATE TO THE BEST OF OUR
KNOWLEDGE AT TIME OF GOING TO PRINT,
HOWEVER, AXON' CANNOT BE HELD LIABLE FOR ANY ERRORS MADE AS A RESULT,
INFORMATION CONTAINED HEREIN.
CHANGES AND MODIFICATIONS CAN BE MADE TO THIS BROCHURE AT ANY TIME
WITHOUT PRIOR NOTICE.*

*CELLOFLON[®], PICOCOAX[®] AND MULTIPICOCOAX[®] ARE REGISTERED TRADEMARKS
OF AXON' CABLE*

Single Picocoax[®] wires

Miniaturisation and quality of signal transmission are key issues for manufacturers of electronic equipment including measurement equipment and medical devices. In order to meet these challenges, Axon' Cable manufactures a full range of flexible and miniature coaxial cables called Picocoax[®].



Picocoax[®] wires connected to Printed Circuit Boards

General information

Picocoax[®] wires are tiny cables which offer an excellent compromise between a very small diameter (e.g 0.20 mm) and a capacitance of 50 to 100 pF/m.

Axon' Cable, the specialist in interconnect solutions, has a long-term expertise in the manufacturing of coaxial cables and harnesses for applications where a large number of signals have to be transmitted with no interference.

High quality materials

Picocoax[®] miniature coaxial cables are made with Silver Plated Copper Alloy conductor and high performance dielectric materials including FEP or Celloflon[®] (porous PTFE patented by Axon' Cable). The use of Celloflon[®] enables the manufacture of lighter, smaller, more flexible coaxial cables with improved electrical characteristics.

From single wires to composite cables

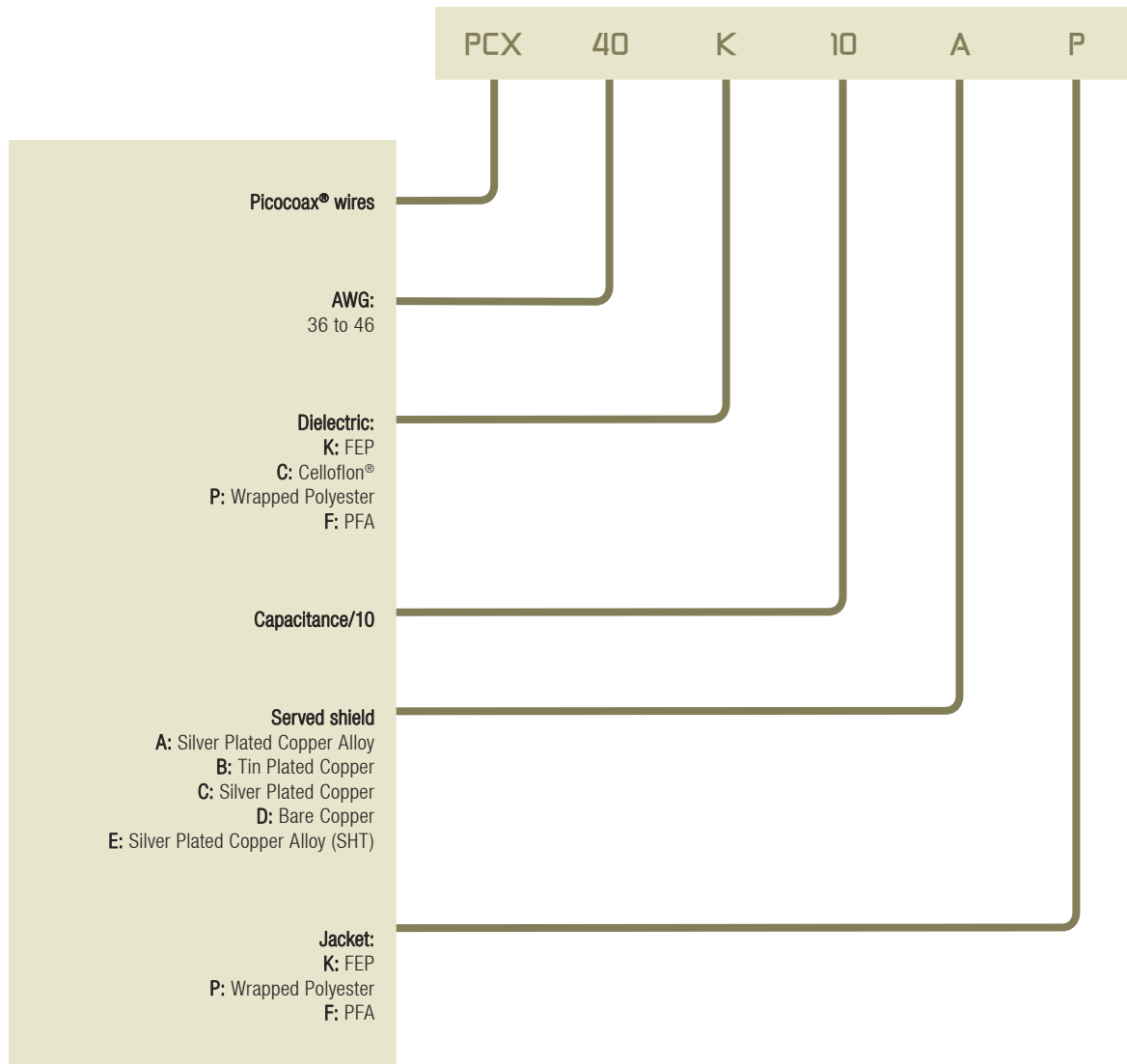
Axon' Cable excels in the design and manufacture of composite cables made to customer specifications. The company is able to design tailor-made cables with different configurations: bundles of 18 to 256 (or more on request) Picocoax[®] cables (called Multipicocoax[®]), hybrid cables with Picocoax[®] wires, twisted pairs, shielded wires, flexible wires, power cables or tubes able to transmit power, signals and fluids (see page 18).

Applications

Any application which requires signal transmission in a limited space:

- › Test equipment,
- › Sensors,
- › Cameras,
- › Medical applications including external or intra-corporeal probes, ultrasound imaging equipment, endoscopy systems, catheter.

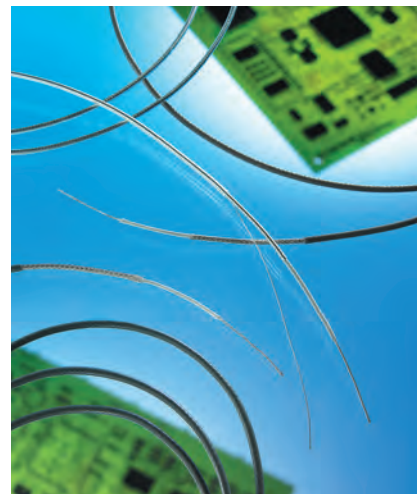
Identification code



Please contact us to select the most appropriate material.

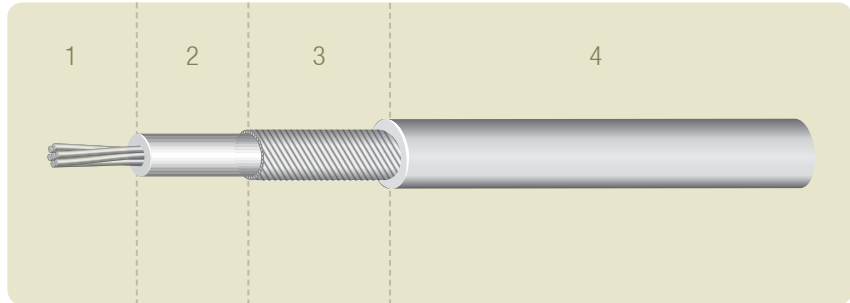
Picocoax® wires: key features

- ✓ Large range of Picocoax® wires: 36 AWG to 46 AWG,
- ✓ From single-piece orders to large volumes,
- ✓ Tailor-made composite cables made with Picocoax® cables, electrical wires or tubes,
- ✓ All-in-one solution: Cable assemblies delivered complete with terminations,
- ✓ High flexibility and resistance,
- ✓ Space saving.



Single Picocoax[®] wires

TYPE **PCX 36 K 08 xx**



Construction

PRIMARY WIRE

- 1 - Inner conductor: Silver Plated Copper Alloy
- 2 - Dielectric: FEP
- 3 - Served shield: Silver Plated Copper Alloy or Tin Plated Copper
- 4 - Jacket: FEP(*) or Wrapped Polyester

(*) Available colours: black/red/orange/yellow/green/blue/white/purple/brown/transparent.

Dimensions

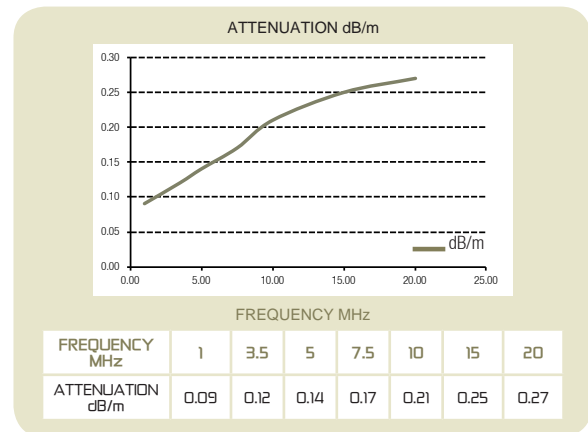
| INNER CONDUCTOR | | | DIELECTRIC | SERVED SHIELD | JACKET |
|-----------------|-------------|--------|------------|---------------|--------|
| AWG | COMPOSITION | Ø (mm) | Ø (mm) | Ø (mm) | Ø (mm) |
| 36 | 7 × 0.051 | 0.153 | 0.54 | 0.60 | 0.67 |

Electrical characteristics

- ▶ Nominal resistance: 1.99 Ω/m
- ▶ Nominal resistance (shield/conductor): 1.80 Ω/m
- ▶ Nominal capacitance: 80 pF/m
- ▶ Nominal impedance: 60 Ω

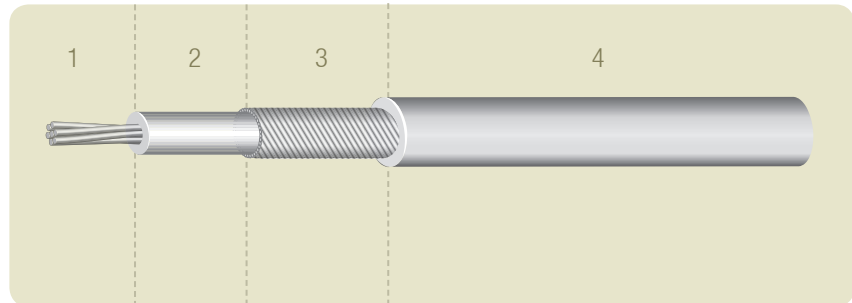
Identification code

| PCX | 36 | K | 08 | A (B) | K (P) |
|-----------------------|------------------------|-----------------------|--|---|---|
| Picocoax [®] | Conductor size: AWG | Dielectric: K: FEP | Capacitance / 10 Ex: capacitance : 80 (pF/m) / 10 = 08 | Shielding: A: Silver Plated Copper Alloy B: Tin Plated Copper | Jacket: K: FEP P: Wrapped Polyester |



Single Picocoax[®] wires

TYPE **PCX 36 K 10 xx**



Construction

PRIMARY WIRE

- 1 - Inner conductor: Silver Plated Copper Alloy
- 2 - Dielectric: FEP
- 3 - Served shield: Silver Plated Copper Alloy or Tin Plated Copper
- 4 - Jacket: FEP(*) or Wrapped Polyester

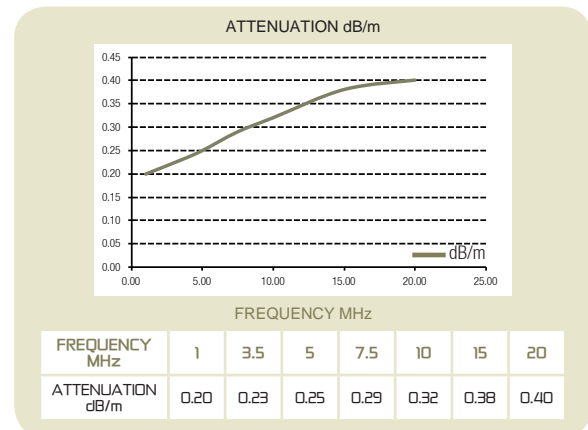
(*) Available colours: black/red/orange/yellow/green/blue/white/purple/brown/transparent.

Dimensions

| INNER CONDUCTOR | | | DIELECTRIC | SERVED SHIELD | JACKET |
|-----------------|-------------|--------|------------|---------------|--------|
| AWG | COMPOSITION | Ø (mm) | Ø (mm) | Ø (mm) | Ø (mm) |
| 36 | 7 × 0.051 | 0.153 | 0.42 | 0.52 | 0.59 |

Electrical characteristics

- › Nominal resistance: 1.99 Ω/m
- › Nominal resistance (shield/conductor): 1.85 Ω/m
- › Nominal capacitance: 100 pF/m
- › Nominal impedance: 50 Ω

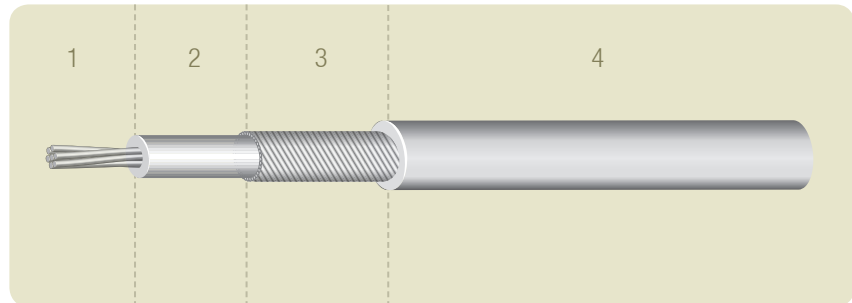


Identification code

| PCX | 36 | K | 10 | A (B) | K (P) |
|-----------------------|------------------------|-----------------------|---|--|---|
| Picocoax [®] | Conductor size: AWG | Dielectric: K: FEP | Capacitance / 10 Ex: capacitance : 100 (pF/m) / 10 = 10 | Shielding: A: Silver Plated Copper Alloy B: Tin Plated Copper | Jacket: K: FEP P: Wrapped Polyester |

Single Picocoax[®] wires

TYPE **PCX 38 C 06 xx**



Construction

PRIMARY WIRE

- 1 - Inner conductor: Silver Plated Copper Alloy
- 2 - Dielectric: Celloflon[®]
- 3 - Served shield: Silver Plated Copper Alloy or Tin Plated Copper
- 4 - Jacket: FEP(*) or Wrapped Polyester

(*) Available colours: black/red/orange/yellow/green/blue/white/purple/brown/transparent.

Dimensions

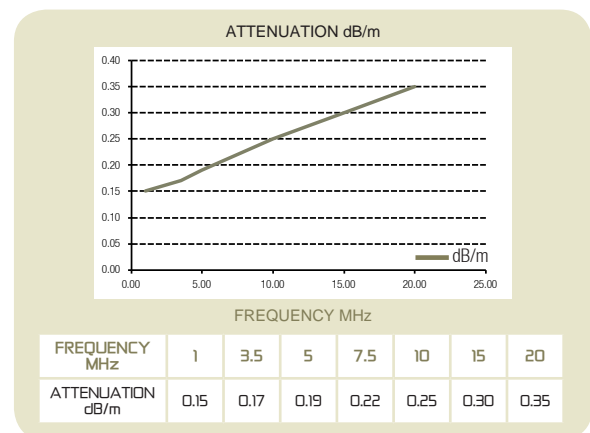
| INNER CONDUCTOR | | | DIELECTRIC | SERVED SHIELD | JACKET |
|-----------------|-------------|--------|------------|---------------|--------|
| AWG | COMPOSITION | Ø (mm) | Ø (mm) | Ø (mm) | Ø (mm) |
| 38 | 7 × 0.04 | 0.120 | 0.43 | 0.49 | 0.58 |

Electrical characteristics

- > Nominal resistance: 3.11 Ω/m
- > Nominal resistance (shield/conductor): 2.95 Ω/m
- > Nominal capacitance: 60 pF/m
- > Nominal impedance: 70 Ω

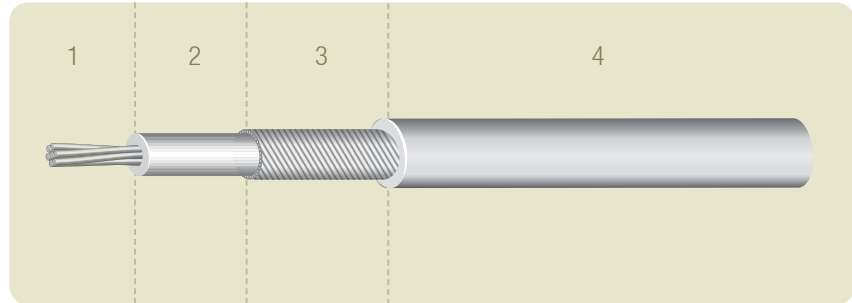
Identification code

| PCX | 38 | C | 06 | A (B) | K (P) |
|-----------------------|------------------------|--|--|---|---|
| Picocoax [®] | Conductor size: AWG | Dielectric: C: Celloflon [®] | Capacitance / 10 Ex: capacitance : 60 (pF/m) / 10 = 06 | Shielding: A: Silver Plated Copper Alloy B: Tin Plated Copper | Jacket: K: FEP P: Wrapped Polyester |



Single Picocoax[®] wires

TYPE **PCX 38 K 10 xx**



Construction

PRIMARY WIRE

- 1 - Inner conductor: Silver Plated Copper Alloy
- 2 - Dielectric: FEP
- 3 - Served shield: Silver Plated Copper Alloy or Tin Plated Copper
- 4 - Jacket: FEP(*) or Wrapped Polyester

(*) Available colours: black/red/orange/yellow/green/blue/white/purple/brown/transparent.

Dimensions

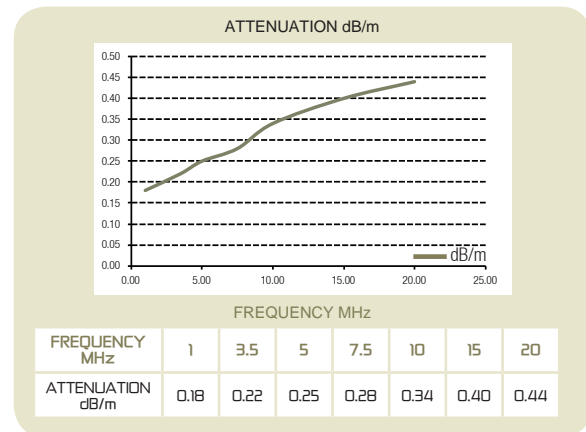
| INNER CONDUCTOR | | | DIELECTRIC | SERVED SHIELD | JACKET |
|-----------------|-------------|--------|------------|---------------|--------|
| AWG | COMPOSITION | Ø (mm) | Ø (mm) | Ø (mm) | Ø (mm) |
| 38 | 7 × 0.04 | 0.120 | 0.35 | 0.45 | 0.52 |

Electrical characteristics

- › Nominal resistance: 3.11 Ω/m
- › Nominal resistance (shield/conductor): 2.75 Ω/m
- › Nominal capacitance: 100 pF/m
- › Nominal impedance: 50 Ω

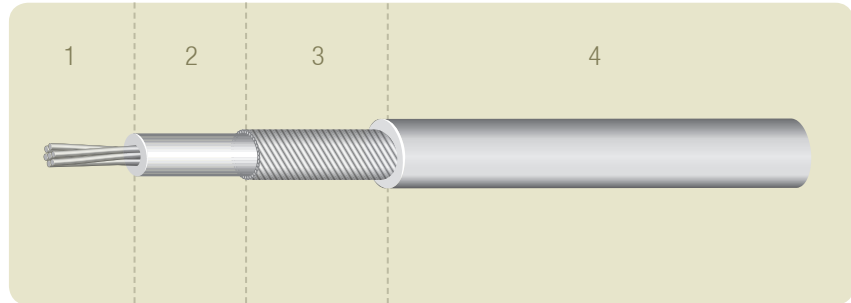
Identification code

| PCX | 38 | K | 10 | A (B) | K (P) |
|-----------------------|------------------------|-----------------------|---|--|---|
| Picocoax [®] | Conductor size: AWG | Dielectric: K: FEP | Capacitance / 10 Ex: capacitance : 100 (pF/m) / 10 = 10 | Shielding: A: Silver Plated Copper Alloy B: Tin Plated Copper | Jacket: K: FEP P: Wrapped Polyester |



Single Picocoax[®] wires

TYPE **PCX 40 C 05 xx**



Construction

PRIMARY WIRE

- 1 - Inner conductor: Silver Plated Copper Alloy
- 2 - Dielectric: Celloflon[®]
- 3 - Served shield: Silver Plated Copper Alloy
- 4 - Jacket: FEP(*) or Wrapped Polyester

(*) Available colours: black/red/orange/yellow/green/blue/white/purple/brown/transparent.

Dimensions

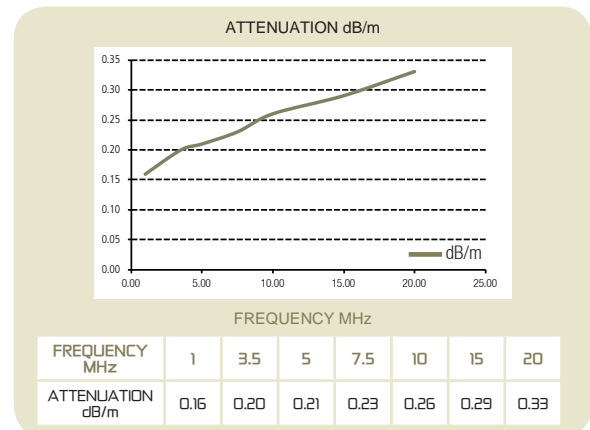
| INNER CONDUCTOR | | | DIELECTRIC | SERVED SHIELD | JACKET |
|-----------------|-------------|--------|------------|---------------|--------|
| AWG | COMPOSITION | Ø (mm) | Ø (mm) | Ø (mm) | Ø (mm) |
| 40 | 7 × 0.031 | 0.093 | 0.39 | 0.45 | 0.55 |

Electrical characteristics

- ▶ Nominal resistance: 5.53 Ω/m
- ▶ Nominal resistance (shield/conductor): 4.42 Ω/m
- ▶ Nominal capacitance: 50 pF/m
- ▶ Nominal impedance: 80 Ω

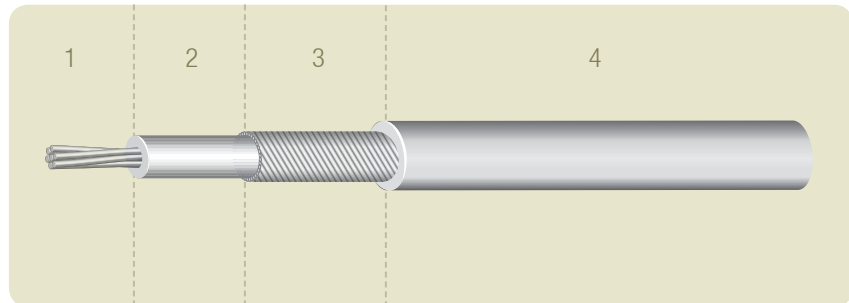
Identification code

| PCX | 40 | C | 05 | A | K (P) |
|-----------------------|------------------------|--|---|--|---|
| Picocoax [®] | Conductor size: AWG | Dielectric: C: Celloflon [®] | Capacitance / 10 Ex: capacitance: 50 (pF/m) / 10 = 05 | Shielding: A: Silver Plated Copper Alloy | Jacket: K: FEP P: Wrapped Polyester |



Single Picocoax® wires

TYPE **PCX 40 K 08 xx**



Construction

PRIMARY WIRE

- 1 - Inner conductor: Silver Plated Copper Alloy
- 2 - Dielectric: FEP
- 3 - Served shield: Silver Plated Copper Alloy
- 4 - Jacket: FEP(*) or Wrapped Polyester

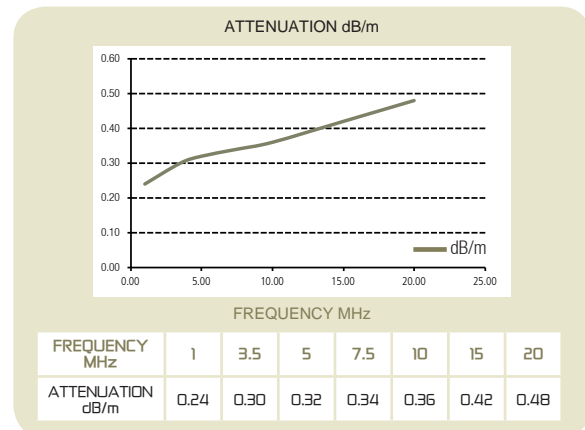
(*) Available colours: black/red/orange/yellow/green/blue/white/purple/brown/transparent.

Dimensions

| INNER CONDUCTOR | | | DIELECTRIC | SERVED SHIELD | JACKET |
|-----------------|-------------|--------|------------|---------------|--------|
| AWG | COMPOSITION | Ø (mm) | Ø (mm) | Ø (mm) | Ø (mm) |
| 40 | 7 × 0.031 | 0.093 | 0.33 | 0.39 | 0.46 |

Electrical characteristics

- › Nominal resistance: 5.53 Ω/m
- › Nominal resistance (shield/conductor): 4.14 Ω/m
- › Nominal capacitance: 80 pF/m
- › Nominal impedance: 60 Ω

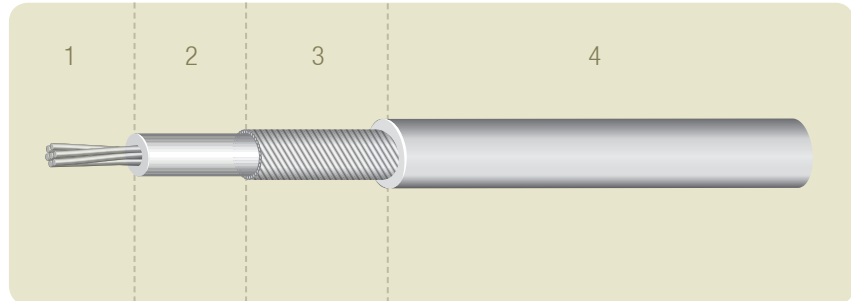


Identification code

| PCX | 40 | K | 08 | A | K (P) |
|-----------|------------------------|-----------------------|--|--|---|
| Picocoax® | Conductor size: AWG | Dielectric: K: FEP | Capacitance / 10 Ex: capacitance : 80 (pF/m) / 10 = 08 | Shielding: A: Silver Plated Copper Alloy | Jacket: K: FEP P: Wrapped Polyester |

Single Picocoax[®] wires

TYPE **PCX 40 K 10 xx**



Construction

PRIMARY WIRE

- 1 - Inner conductor: Silver Plated Copper Alloy
- 2 - Dielectric: FEP
- 3 - Served shield: Silver Plated Copper Alloy
- 4 - Jacket: FEP(*) or Wrapped Polyester

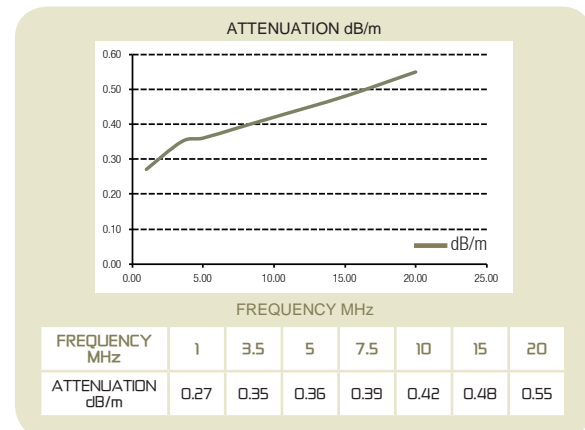
(*) Available colours: black/red/orange/yellow/green/blue/white/purple/brown/transparent.

Dimensions

| INNER CONDUCTOR | | | DIELECTRIC | SERVED SHIELD | JACKET |
|-----------------|-------------|--------|------------|---------------|--------|
| AWG | COMPOSITION | ∅ (mm) | ∅ (mm) | ∅ (mm) | ∅ (mm) |
| 40 | 7 × 0.031 | 0.093 | 0.25 | 0.31 | 0.38 |

Electrical characteristics

- › Nominal resistance: 5.53 Ω/m
- › Nominal resistance (shield/conductor): 4.75 Ω/m
- › Nominal capacitance: 100 pF/m
- › Nominal impedance: 50 Ω

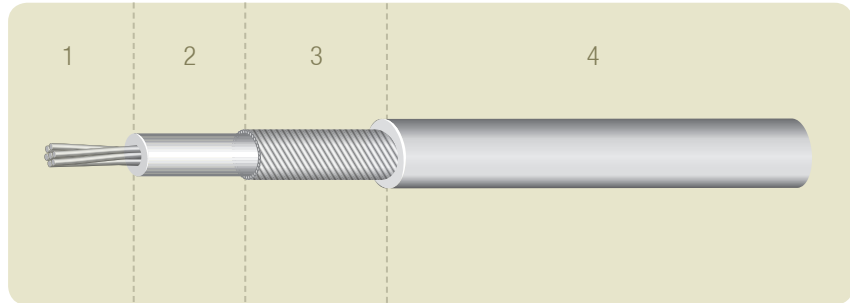


Identification code

| PCX | 40 | K | 10 | A | K (P) |
|-----------------------|------------------------|-----------------------|---|--|---|
| Picocoax [®] | Conductor size: AWG | Dielectric: K: FEP | Capacitance / 10 Ex: capacitance : 100 (pF/m) / 10 = 10 | Shielding: A: Silver Plated Copper Alloy | Jacket: K: FEP P: Wrapped Polyester |

Single Picocoax[®] wires

TYPE **PCX 42 C 05 xx**



Construction

PRIMARY WIRE

- 1 - Inner conductor: Silver Plated Copper Alloy
- 2 - Dielectric: Celloflon[®]
- 3 - Served shield: Silver Plated Copper Alloy
- 4 - Jacket: FEP(*) or Wrapped Polyester

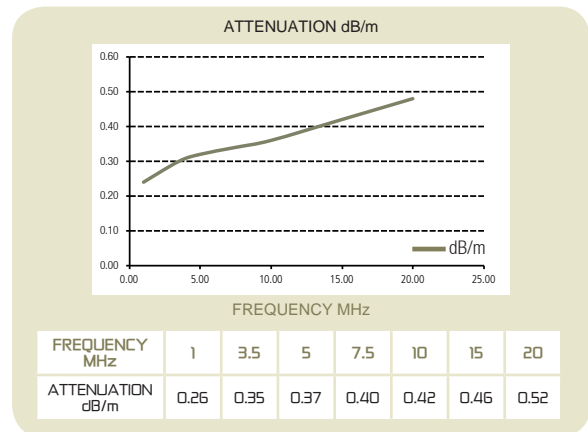
(*) Available colours: black/red/orange/yellow/green/blue/white/purple/brown/transparent.

Dimensions

| INNER CONDUCTOR | | | DIELECTRIC | SERVED SHIELD | JACKET |
|-----------------|-------------|--------|------------|---------------|--------|
| AWG | COMPOSITION | Ø (mm) | Ø (mm) | Ø (mm) | Ø (mm) |
| 42 | 7 × 0.025 | 0.075 | 0.30 | 0.35 | 0.42 |

Electrical characteristics

- › Nominal resistance: 7.97 Ω/m
- › Nominal resistance (shield/conductor): 6.81 Ω/m
- › Nominal capacitance: 50 pF/m
- › Nominal impedance: 80 Ω

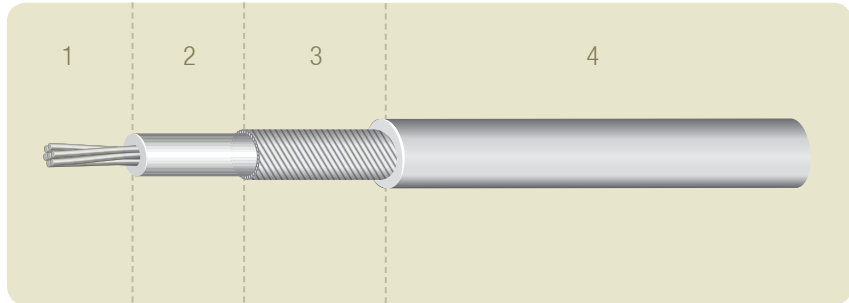


Identification code

| PCX | 42 | C | 05 | A | K (P) |
|-----------------------|------------------------|--|---|---|---|
| Picocoax [®] | Conductor size: AWG | Dielectric: C: Celloflon [®] | Capacitance / 10 Ex: capacitance: 50 (pF/m) / 10 = 05 | Shielding: A: Silver Plated Copper Alloy | Jacket: K: FEP P: Wrapped Polyester |

Single Picocoax[®] wires

TYPE **PCX 42 K 10 xx**



Construction

PRIMARY WIRE

- 1 - Inner conductor: Silver Plated Copper Alloy
- 2 - Dielectric: FEP
- 3 - Served shield: Silver Plated Copper Alloy
- 4 - Jacket: FEP(*) or Wrapped Polyester

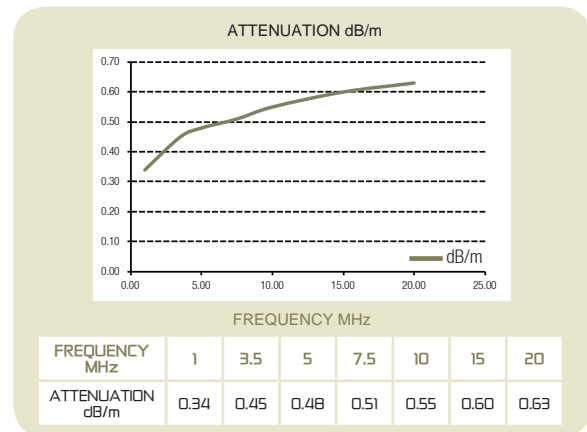
(*) Available colours: black/red/orange/yellow/green/blue/white/purple/brown/transparent.

Dimensions

| INNER CONDUCTOR | | | DIELECTRIC | SERVED SHIELD | JACKET |
|-----------------|-------------|--------|------------|---------------|--------|
| AWG | COMPOSITION | Ø (mm) | Ø (mm) | Ø (mm) | Ø (mm) |
| 42 | 7 × 0.025 | 0.075 | 0.20 | 0.26 | 0.33 |

Electrical characteristics

- › Nominal resistance: 7.97 Ω/m
- › Nominal resistance (shield/conductor): 7.07 Ω/m
- › Nominal capacitance: 100 pF/m
- › Nominal impedance: 50 Ω

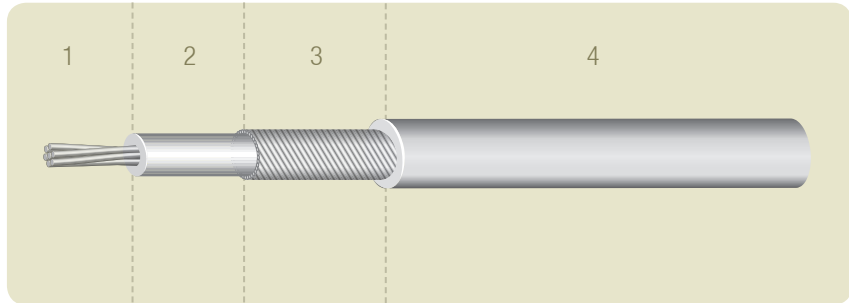


Identification code

| PCX | 42 | K | 10 | A | K (P) |
|-----------------------|------------------------|-----------------------|--|--|---|
| Picocoax [®] | Conductor size: AWG | Dielectric: K: FEP | Capacitance / 10 Ex: capacitance: 100 (pF/m) / 10 = 10 | Shielding: A: Silver Plated Copper Alloy | Jacket: K: FEP P: Wrapped Polyester |

Single Picocoax® wires

TYPE **PCX 44 C 04 xx**



Construction

PRIMARY WIRE

- 1 - Inner conductor: Silver Plated Copper Alloy
- 2 - Dielectric: Celloflon®
- 3 - Served shield: Silver Plated Copper Alloy
- 4 - Jacket: FEP(*) or Wrapped Polyester

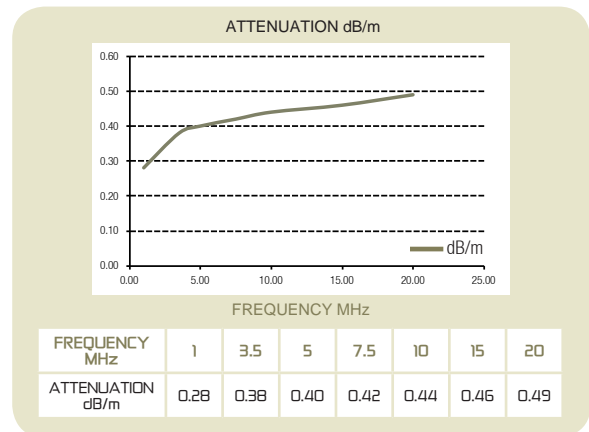
(*) Available colours: black/red/orange/yellow/green/blue/white/purple/brown/transparent.

Dimensions

| INNER CONDUCTOR | | | DIELECTRIC | SERVED SHIELD | JACKET |
|-----------------|-------------|--------|------------|---------------|--------|
| AWG | COMPOSITION | ∅ (mm) | ∅ (mm) | ∅ (mm) | ∅ (mm) |
| 44 | 7 × 0.020 | 0.060 | 0.34 | 0.39 | 0.46 |

Electrical characteristics

- › Nominal resistance: 13.00 Ω/m
- › Nominal resistance (shield/conductor): 14.10 Ω/m
- › Nominal capacitance: 40 pF/m
- › Nominal impedance: 95 Ω

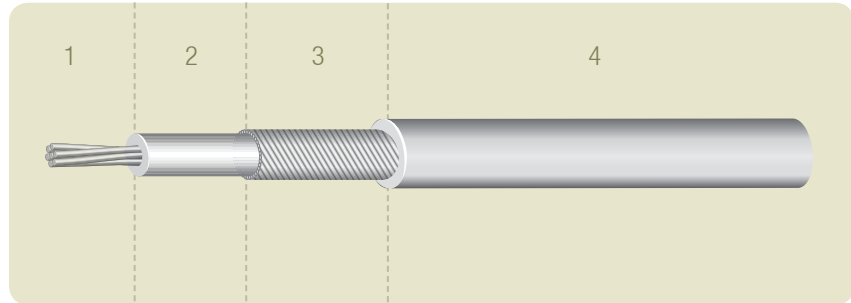


Identification code

| PCX | 44 | C | 04 | A | K (P) |
|-----------|------------------------|------------------------------|---|---|---|
| Picocoax® | Conductor size: AWG | Dielectric: C: Celloflon® | Capacitance / 10 Ex: capacitance: 40 (pF/m) / 10 = 04 | Shielding: A: Silver Plated Copper Alloy | Jacket: K: FEP P: Wrapped Polyester |

Single Picocoax® wires

TYPE **PCX 44 K 11 xx**



Construction

PRIMARY WIRE

- 1 - Inner conductor: Silver Plated Copper Alloy
- 2 - Dielectric: FEP
- 3 - Served shield: Silver Plated Copper Alloy
- 4 - Jacket: FEP(*) or Wrapped Polyester

(*) Available colours: black/red/orange/yellow/green/blue/white/purple/brown/transparent.

Dimensions

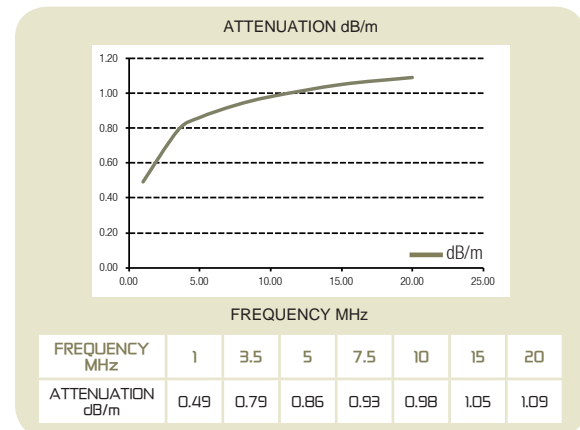
| INNER CONDUCTOR | | | DIELECTRIC | SERVED SHIELD | JACKET |
|-----------------|-------------|--------|------------|---------------|--------|
| AWG | COMPOSITION | Ø (mm) | Ø (mm) | Ø (mm) | Ø (mm) |
| 44 | 7 x 0.020 | 0.060 | 0.14 | 0.19 | 0.26 |

Electrical characteristics

- › Nominal resistance: 13.00 Ω /m
- › Nominal resistance (shield/conductor): 14.50 Ω /m
- › Nominal capacitance: 110 pF/m
- › Nominal impedance: 50 Ω

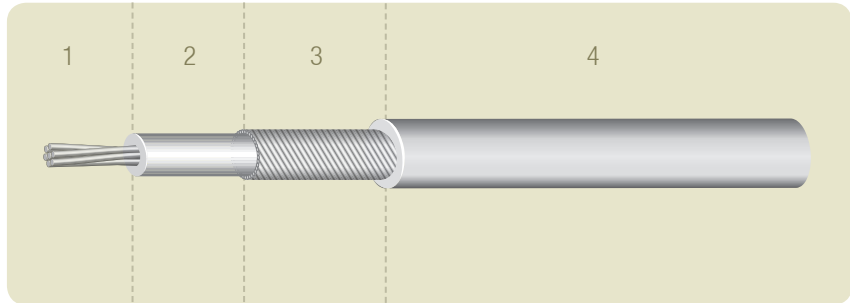
Identification code

| PCX | 44 | K | 11 | A | K (P) |
|-----------|------------------------|-----------------------|--|--|---|
| Picocoax® | Conductor size: AWG | Dielectric: K: FEP | Capacitance / 10 Ex: capacitance: 110 (pF/m) / 10 = 11 | Shielding: A: Silver Plated Copper Alloy | Jacket: K: FEP P: Wrapped Polyester |



Single Picocoax® wires

TYPE **PCX 46 K 10 xx**



Construction

PRIMARY WIRE

- 1 - Inner conductor: Silver Plated Copper Alloy
- 2 - Dielectric: FEP
- 3 - Served shield: Silver Plated Copper Alloy
- 4 - Jacket: FEP(*) or Wrapped Polyester

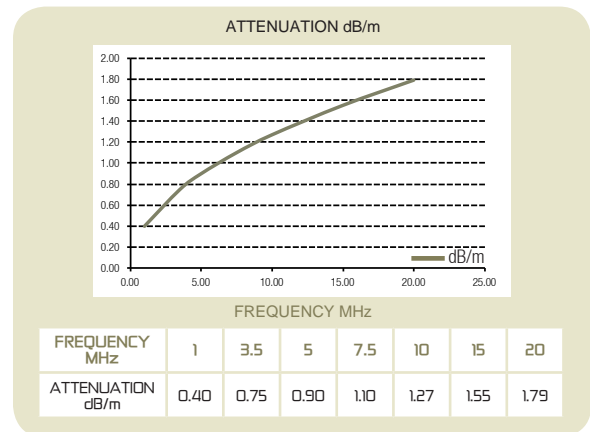
(*) Available colours: black/red/orange/yellow/green/blue/white/purple/brown/transparent.

Dimensions

| INNER CONDUCTOR | | | DIELECTRIC | SERVED SHIELD | JACKET |
|-----------------|-------------|--------|------------|---------------|--------|
| AWG | COMPOSITION | Ø (mm) | Ø (mm) | Ø (mm) | Ø (mm) |
| 46 | 7 × 0.015 | 0.045 | 0.12 | 0.16 | 0.25 |

Electrical characteristics

- › Nominal resistance: 22.30 Ω/m
- › Nominal resistance (shield/conductor): 25.00 Ω/m
- › Nominal capacitance: 100 pF/m
- › Nominal impedance: 50 Ω



Identification code

| PCX | 46 | K | 10 | A | K (P) |
|-----------|------------------------|-----------------------|--|---|---|
| Picocoax® | Conductor size: AWG | Dielectric: K: FEP | Capacitance / 10 Ex: capacitance: 100 (pF/m) / 10 = 10 | Shielding: A: Silver Plated Copper Alloy | Jacket: K: FEP P: Wrapped Polyester |

Multipicocoax[®] cables

Multipicocoax[®] cables are composite cables made with bundles of 18 to 256 (or more on request) Picocoax[®] cables.

Axon' Cable is also able to manufacture hybrid cables with Picocoax[®] wires, twisted pairs, shielded wires, flexible wires, power cables or tubes able to transmit power, signals and fluids.

Flexibility and resistance

Whether for applications where the available routing space is limited or for medical applications where cables have to withstand handling from the medical staff and patients, flexibility of the cable is paramount.

Axon' Multipicocoax cables are characterized by their high flexibility and a very small bend radius (3.5 x diameter).

The construction and the materials of the Multipicocoax[®] composite cables have been optimized to cope with these requirements. Chemical resistance of the jacket is also a key issue for medical devices. Axon' Cable has selected PVC or silicone jackets tested according to ISO 10993 to offer the most appropriate solution. The company has developed a wide variety of specialized capabilities to ensure the interconnect solutions offered stand up to the most challenging environments.

Production: from prototypes to large volumes

With manufacturing and technical design teams based in both France and Latvia, Axon' Cable is able to deliver both large and small volume orders. To guarantee high product reliability and a continuous quality process, Axon' Cable uses the most up-to-date equipment:

- > automatic and laser stripping machines,
- > precision positioning tools,
- > automatic test benches,
- > 3D printers.

Axon' Cable is able to offer shielded terminations suitable for medical electronics. Shield performance can be verified by in-house testing of surface transfer impedance.



Bending test

Test capabilities

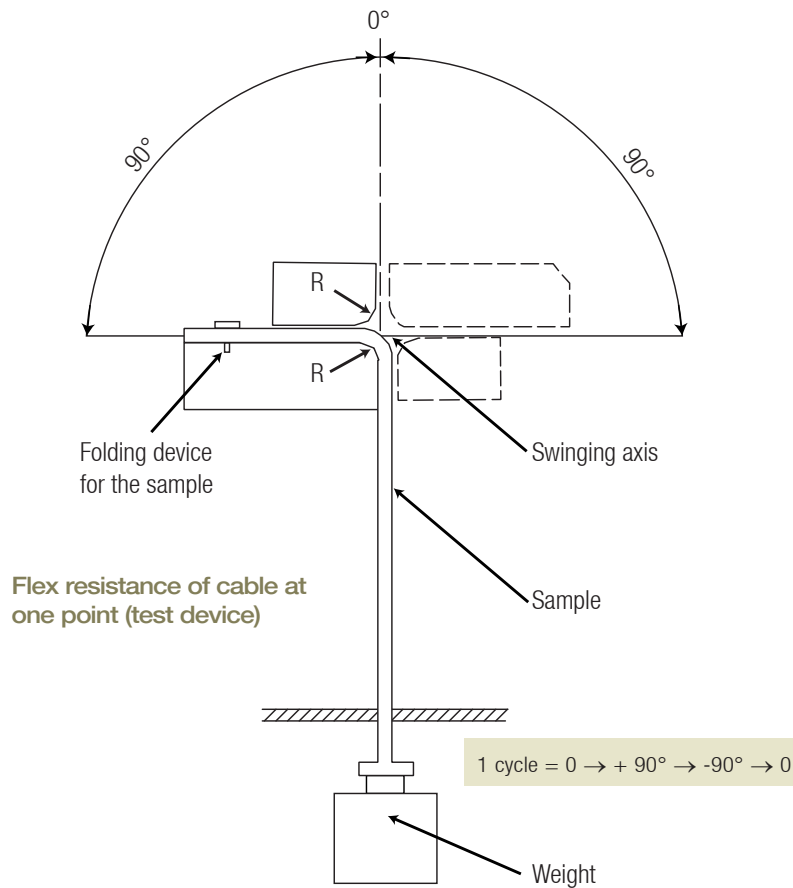
Axon' Cable uses a wide variety of in-house equipment to ensure our interconnect solutions stand up to the most challenging of environments including mechanical tests:

- > resistance to shock,
- > combined flex/torsion,
- > folding,
- > winding, unwinding,
- > vibration equipment,
- > tensile strength.

All Axon' Multipicocoax[®] cable assemblies are 100% electrically tested.

Mechanical characteristics

Flexlife: minimum 250 000 cycles according to VDE 0472, MIL-C-24643, SEFT 027.
High flexibility: bend radius: 3.5 x cable diameter.



Picocoax® cable - Multipicocoax® cable assembly

Chemical characteristics of the outer jacket

PVC:

- > CIDEX®, KORSOLEX®, resistant,
- > meets the requirements of the norm ISO 10993 Chapters 5, 10(*).

SILICONE:

- > CIDEX®, KORSOLEX®, resistant,
- > withstands autoclave, ETO®, STERRAD®, STERIS® sterilization, meets the requirements of the ISO 10993 - Chapters 5, 10(*).

> (*) only specific colours have been tested. Test reports available on request.

Interconnection systems

Axon' Cable is able to fully integrate the system with its own parts or with accessories supplied by the customer. In addition to its expertise in interconnect solutions with different types of connectors (such as ZIF/LIF, Micro-D, Nano-D, D-Sub, or others), Axon' Cable can offer a full range of welded printed circuits:

Welding with PCB

Axon' Cable engineers have the expertise to design basic PCBs and will make dimensional recommendations for the design of complex printed circuits. They will propose the very solution to optimize the weld zone of the PCB where the Picocoax[®] wires have to be soldered. 100 % of electrical testing will be carried out by Axon' Cable.

Picoflex[™] cable

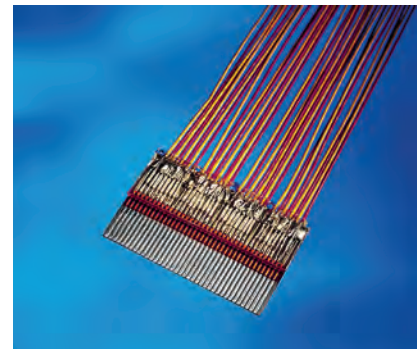
- › The Picocoax[®] cables are welded onto a flexible printed circuit (FPC).
- › The FPC is mounted in a ZIF connector which is surface mounted onto a PCB.
- › Compatible with industry standard ZIF connectors.
- › Available in 0.50 mm and 0.30 mm.
- › Compatible with Picocoax[®] wires 38 AWG to 46 AWG (50 and 100 pF/m).



Welding with PCB

Multipicocoax[®] Cables: key features

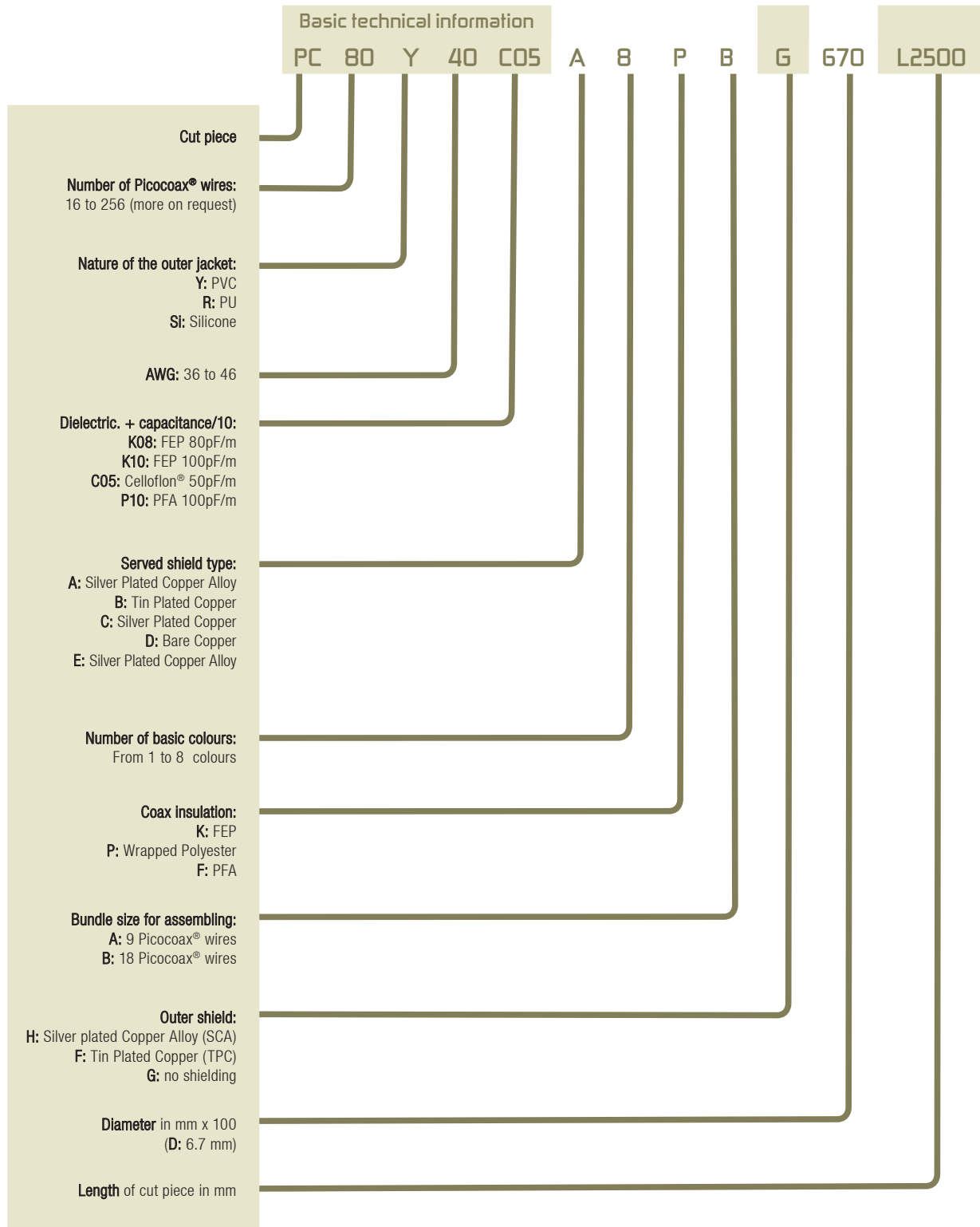
- ✓ Many possible configurations : bundles of 18 to 256 (or more) Picocoax[®] wires,
- ✓ Large range of Picocoax[®] wires: 36 AWG to 46 AWG,
- ✓ From single-piece orders to large volumes,
- ✓ Tailor-made composite cables made with Picocoax[®] cables, electrical wires or tubes,
- ✓ All-in-one solution: cable assemblies delivered with termination,
- ✓ High flexibility and resistance,
- ✓ Space saving.



Picoflex[™] cable

Identification code

The highlighted data correspond to basic technical information to be provided to Axon' Cable.

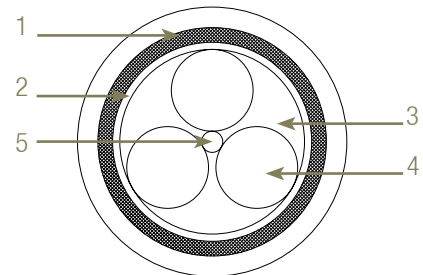


Multipicocoax[®] cables

TYPE PC 48 Y

Construction

- 1 - Outer jacket
- 2 - Braided shield
- 3 - Separating tape
- 4 - 3 bundles of 18 Picocoax[®] wires
- 5 - Tensile strength fibre



Dimensions

| AXON [®] REFERENCE | SINGLE PICOACOAX [®] WIRE (1) | | NO. OF 18 PICOACOAX [®] BUNDLES ASSEMBLED WITH COLOURED FIBRE | NO. OF PICOACOAX [®] WIRES (2) (for 48 coaxials to be connected) | | OVERALL Ø (mm) (3) |
|-----------------------------|--|--------------|--|---|--------------------------|--------------------|
| | AWG | OUTER Ø (mm) | | MIN. OF CONNECTABLE COAXIALS (A) | REAL NO. OF COAXIALS (B) | |
| PC 48 Y 36 K 08 | 36 | 0.67 | 3 | 51 | 54 | 8.90 |
| PC 48 Y 36 K 10 | 36 | 0.59 | 3 | 51 | 54 | 7.80 |
| PC 48 Y 38 C 06 | 38 | 0.58 | 3 | 51 | 54 | 7.80 |
| PC 48 Y 38 K 10 | 38 | 0.52 | 3 | 51 | 54 | 7.10 |
| PC 48 Y 40 C 05 | 40 | 0.55 | 3 | 51 | 54 | 6.80 |
| PC 48 Y 40 K 08 | 40 | 0.46 | 3 | 51 | 54 | 6.80 |
| PC 48 Y 40 K 10 | 40 | 0.38 | 3 | 51 | 54 | 5.35 |
| PC 48 Y 42 C 05 | 42 | 0.42 | 3 | 51 | 54 | 5.35 |
| PC 48 Y 42 K 10 | 42 | 0.33 | 3 | 51 | 54 | 4.85 |
| PC 48 Y 44 C 04 | 44 | 0.46 | 3 | 51 | 54 | 5.75 |
| PC 48 Y 44 K 11 | 44 | 0.26 | 3 | 51 | 54 | 4.15 |
| PC 48 Y 46 K 10 | 46 | 0.25 | 3 | 51 | 54 | 3.80 |

1) To know the detailed characteristics of the single Picocoax[®] wire, please ask for the corresponding technical data sheet.

2) Axon[®] Cable assembles a number (B) of Picocoax[®] wires, of which a guaranteed number (A) of Picocoax[®] wires are connectable. Those which cannot be used are marked for easier termination.

3) The diameter can be changed, please contact us.

Electrical characteristics

| AXON [®] REFERENCE | NOM. CAPACITANCE (pF/m) | NOM. IMPEDANCE (Ω) | AXON [®] REFERENCE | NOM. CAPACITANCE (pF/m) | NOM. IMPEDANCE (Ω) |
|-----------------------------|-------------------------|--------------------|-----------------------------|-------------------------|--------------------|
| PC 48 Y 36 K 08 | 80 | 60 | PC 48 Y 40 K 10 | 100 | 50 |
| PC 48 Y 36 K 10 | 100 | 50 | PC 48 Y 42 C 05 | 50 | 80 |
| PC 48 Y 38 C 06 | 60 | 70 | PC 48 Y 42 K 10 | 100 | 50 |
| PC 48 Y 38 K 10 | 100 | 50 | PC 48 Y 44 C 04 | 40 | 95 |
| PC 48 Y 40 C 05 | 50 | 80 | PC 48 Y 44 K 11 | 110 | 50 |
| PC 48 Y 40 K 08 | 80 | 60 | PC 48 Y 46 K 10 | 100 | 50 |

Identification code

The hereafter data are required to define your product. See page 21 for complete identification code.

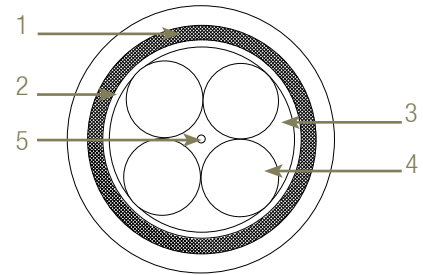
| PC | 48 | Y | 40 | K | 10 |
|---|--|-------------------------------|------------------------------|--|---|
| Cut Piece (length to be determined when ordering) | No. of Picocoax[®] wires | Outer jacket Y: PVC | Conductor size AWG | Dielectric of the single Picocoax [®] wire - K: FEP C: Celloflon [®] | Capacitance / 10 Ex : 100pF / 10 = 10 |

Multipicocoax[®] cables

TYPE PC 64 Y

Construction

- 1 - Outer jacket
- 2 - Braided shield
- 3 - Separating tape
- 4 - 4 bundles of 18 Picocoax[®] wires
- 5 - Tensile strength fibre



Dimensions

| AXON' REFERENCE | SINGLE PICOCAOX [®] WIRE (1) | | NO. OF 18 PICOCAOX [®] BUNDLES ASSEMBLED WITH COLOURED FIBRE | NO. OF PICOCAOX [®] WIRES (2) (for 48 coaxials to be connected) | | OVERALL Ø (mm) (3) |
|--------------------|---|--------------------|---|--|-----------------------------------|--------------------------|
| | AWG | OUTER Ø (mm) | | MIN. OF CONNECTABLE COAXIALS (A) | REAL NO. OF COAXIALS (B) | |
| PC 64 Y 36 K 08 | 36 | 0.67 | 4 | 68 | 72 | 10.00 |
| PC 64 Y 36 K 10 | 36 | 0.59 | 4 | 68 | 72 | 8.60 |
| PC 64 Y 38 C 06 | 38 | 0.58 | 4 | 68 | 72 | 8.00 |
| PC 64 Y 38 K 10 | 38 | 0.52 | 4 | 68 | 72 | 7.80 |
| PC 64 Y 40 C 05 | 40 | 0.55 | 4 | 68 | 72 | 7.50 |
| PC 64 Y 40 K 08 | 40 | 0.46 | 4 | 68 | 72 | 7.60 |
| PC 64 Y 40 K 10 | 40 | 0.38 | 4 | 68 | 72 | 5.85 |
| PC 64 Y 42 C 05 | 42 | 0.42 | 4 | 68 | 72 | 5.90 |
| PC 64 Y 42 K 10 | 42 | 0.33 | 4 | 68 | 72 | 5.30 |
| PC 64 Y 44 C 04 | 44 | 0.46 | 4 | 68 | 72 | 6.80 |
| PC 64 Y 44 K 11 | 44 | 0.26 | 4 | 68 | 72 | 4.55 |
| PC 64 Y 46 K 10 | 46 | 0.25 | 4 | 68 | 72 | 4.10 |

1) To know the detailed characteristics of the single Picocoax[®] wire, please ask for the corresponding technical data sheet.

2) Axon' Cable assembles a number (B) of Picocoax[®] wires, of which a guaranteed number (A) of Picocoax[®] wires are connectable. Those which cannot be used are marked for easier termination.

3) The diameter can be changed, please contact us.

Electrical characteristics

| AXON' REFERENCE | NOM. CAPACITANCE (pF/m) | NOM. IMPEDANCE (Ω) | AXON' REFERENCE | NOM. CAPACITANCE (pF/m) | NOM. IMPEDANCE (Ω) |
|--------------------|----------------------------|--------------------------|--------------------|----------------------------|--------------------------|
| PC 64 Y 36 K 08 | 80 | 60 | PC 64 Y 40 K 10 | 100 | 50 |
| PC 64 Y 36 K 10 | 100 | 50 | PC 64 Y 42 C 05 | 50 | 80 |
| PC 64 Y 38 C 06 | 60 | 70 | PC 64 Y 42 K 10 | 100 | 50 |
| PC 64 Y 38 K 10 | 100 | 50 | PC 64 Y 44 C 04 | 40 | 95 |
| PC 64 Y 40 C 05 | 50 | 80 | PC 64 Y 44 K 11 | 110 | 50 |
| PC 64 Y 40 K 08 | 80 | 60 | PC 64 Y 46 K 10 | 100 | 50 |

Identification code

The hereafter data are required to define your product. See page 21 for complete identification code.

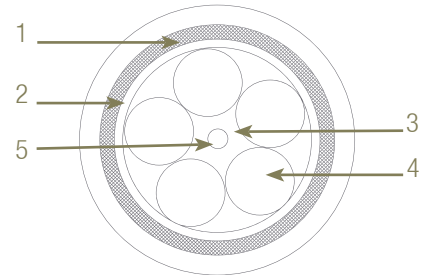
| PC | 64 | Y | 40 | K | 10 |
|---|--|-------------------------------|------------------------------|---|---|
| Cut Piece (length to be determined when ordering) | No. of Picocoax[®] wires | Outer jacket Y: PVC | Conductor size AWG | Dielectric of the single Picocoax[®] wire - K: FEP C: Celloflon [®] | Capacitance / 10 Ex : 100pF / 10 = 10 |

Multipicocoax[®] cables

TYPE PC 80 Y

Construction

- 1 - Outer jacket
- 2 - Braided shield
- 3 - Separating tape
- 4 - 5 bundles of 18 Picocoax[®] wires
- 5 - Tensile strength fibre



Dimensions

| AXON [®] REFERENCE | SINGLE PICOCAOX [®] WIRE (1) | | NO. OF 18 PICOCAOX [®] BUNDLES ASSEMBLED WITH COLOURED FIBRE | NO. OF PICOCAOX [®] WIRES (2) (for 48 coaxials to be connected) | | OVERALL Ø (mm) (3) |
|-----------------------------|---------------------------------------|--------------|---|---|--------------------------|--------------------|
| | AWG | OUTER Ø (mm) | | MIN. OF CONNECTABLE COAXIALS (A) | REAL NO. OF COAXIALS (B) | |
| PC 80 Y 36 K 08 | 36 | 0.67 | 5 | 85 | 90 | 10.70 |
| PC 80 Y 36 K 10 | 36 | 0.59 | 5 | 85 | 90 | 9.20 |
| PC 80 Y 38 C 06 | 38 | 0.58 | 5 | 85 | 90 | 8.50 |
| PC 80 Y 38 K 10 | 38 | 0.52 | 5 | 85 | 90 | 8.35 |
| PC 80 Y 40 C 05 | 40 | 0.55 | 5 | 85 | 90 | 8.00 |
| PC 80 Y 40 K 08 | 40 | 0.46 | 5 | 85 | 90 | 8.15 |
| PC 80 Y 40 K 10 | 40 | 0.38 | 5 | 85 | 90 | 6.60 |
| PC 80 Y 42 C 05 | 42 | 0.42 | 5 | 85 | 90 | 6.70 |
| PC 80 Y 42 K 10 | 42 | 0.33 | 5 | 85 | 90 | 5.65 |
| PC 80 Y 44 C 04 | 44 | 0.46 | 5 | 85 | 90 | 7.20 |
| PC 80 Y 44 K 11 | 44 | 0.26 | 5 | 85 | 90 | 4.80 |
| PC 80 Y 46 K 10 | 46 | 0.25 | 5 | 85 | 90 | 4.30 |

1) To know the detailed characteristics of the single Picocoax[®] wire, please ask for the corresponding technical data sheet.

2) Axon[®] Cable assembles a number (B) of Picocoax[®] wires, of which a guaranteed number (A) of Picocoax[®] wires are connectable. Those which cannot be used are marked for easier termination.

3) The diameter can be changed, please contact us.

Electrical characteristics

| AXON [®] REFERENCE | NOM. CAPACITANCE (pF/m) | NOM. IMPEDANCE (Ω) | AXON [®] REFERENCE | NOM. CAPACITANCE (pF/m) | NOM. IMPEDANCE (Ω) |
|-----------------------------|-------------------------|--------------------|-----------------------------|-------------------------|--------------------|
| PC 80 Y 36 K 08 | 80 | 60 | PC 80 Y 40 K 10 | 100 | 50 |
| PC 80 Y 36 K 10 | 100 | 50 | PC 80 Y 42 C 05 | 50 | 80 |
| PC 80 Y 38 C 06 | 60 | 70 | PC 80 Y 42 K 10 | 100 | 50 |
| PC 80 Y 38 K 10 | 100 | 50 | PC 80 Y 44 C 04 | 40 | 95 |
| PC 80 Y 40 C 05 | 50 | 80 | PC 80 Y 44 K 11 | 110 | 50 |
| PC 80 Y 40 K 08 | 80 | 60 | PC 80 Y 46 K 10 | 100 | 50 |

Identification code

The hereafter data are required to define your product. See page 21 for complete identification code.

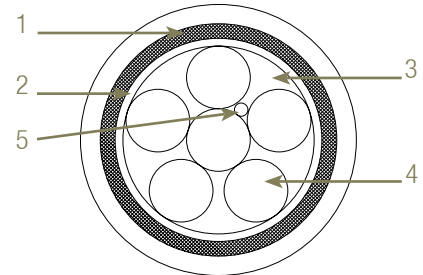
| PC | 80 | Y | 40 | K | 10 |
|---|--|-------------------------------|------------------------------|---|---|
| Cut Piece (length to be determined when ordering) | No. of Picocoax[®] wires | Outer jacket Y: PVC | Conductor size AWG | Dielectric of the single Picocoax[®] wire - K: FEP C: Celloflon [®] | Capacitance / 10 Ex : 100pF / 10 = 10 |

Multipicocoax® cables

TYPE PC 96 Y

Construction

- 1 - Outer jacket
- 2 - Braided shield
- 3 - Separating tape
- 4 - 6 bundles of 18 Picocoax® wires
- 5 - Tensile strength fibre



Dimensions

| AXON' REFERENCE | SINGLE PICOACOAX® WIRE (1) | | NO. OF 18 PICOACOAX® BUNDLES ASSEMBLED WITH COLOURED FIBRE | NO. OF PICOACOAX® WIRES (2) (for 48 coaxials to be connected) | | OVERALL Ø (mm) (3) |
|-----------------|----------------------------|--------------|--|---|--------------------------|--------------------|
| | AWG | OUTER Ø (mm) | | MIN. OF CONNECTABLE COAXIALS (A) | REAL NO. OF COAXIALS (B) | |
| PC 96 Y 36 K 08 | 36 | 0.67 | 6 | 101 | 108 | 12.70 |
| PC 96 Y 36 K 10 | 36 | 0.59 | 6 | 101 | 108 | 10.70 |
| PC 96 Y 38 C 06 | 38 | 0.58 | 6 | 101 | 108 | 9.75 |
| PC 96 Y 38 K 10 | 38 | 0.52 | 6 | 101 | 108 | 9.60 |
| PC 96 Y 40 C 05 | 40 | 0.55 | 6 | 101 | 108 | 9.15 |
| PC 96 Y 40 K 08 | 40 | 0.46 | 6 | 101 | 108 | 9.30 |
| PC 96 Y 40 K 10 | 40 | 0.38 | 6 | 101 | 108 | 7.60 |
| PC 96 Y 42 C 05 | 42 | 0.42 | 6 | 101 | 108 | 7.65 |
| PC 96 Y 42 K 10 | 42 | 0.33 | 6 | 101 | 108 | 6.80 |
| PC 96 Y 44 C 04 | 44 | 0.46 | 6 | 101 | 108 | 8.20 |
| PC 96 Y 44 K 11 | 44 | 0.26 | 6 | 101 | 108 | 5.40 |
| PC 96 Y 46 K 10 | 46 | 0.25 | 6 | 101 | 108 | 4.85 |

1) To know the detailed characteristics of the single Picocoax® wire, please ask for the corresponding technical data sheet.

2) Axon' Cable assembles a number (B) of Picocoax® wires, of which a guaranteed number (A) of Picocoax® wires are connectable. Those which cannot be used are marked for easier termination.

3) The diameter can be changed, please contact us.

Electrical characteristics

| AXON' REFERENCE | NOM. CAPACITANCE (pF/m) | NOM. IMPEDANCE (Ω) | AXON' REFERENCE | NOM. CAPACITANCE (pF/m) | NOM. IMPEDANCE (Ω) |
|-----------------|-------------------------|--------------------|-----------------|-------------------------|--------------------|
| PC 96 Y 36 K 08 | 80 | 60 | PC 96 Y 40 K 10 | 100 | 50 |
| PC 96 Y 36 K 10 | 100 | 50 | PC 96 Y 42 C 05 | 50 | 80 |
| PC 96 Y 38 C 06 | 60 | 70 | PC 96 Y 42 K 10 | 100 | 50 |
| PC 96 Y 38 K 10 | 100 | 50 | PC 96 Y 44 C 04 | 40 | 95 |
| PC 96 Y 40 C 05 | 50 | 80 | PC 96 Y 44 K 11 | 110 | 50 |
| PC 96 Y 40 K 08 | 80 | 60 | PC 96 Y 46 K 10 | 100 | 50 |

Identification code

The hereafter data are required to define your product. See page 21 for complete identification code.

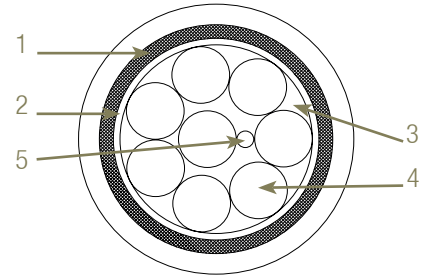
| PC | 96 | Y | 40 | K | 10 |
|---|-------------------------------|-------------------------------|------------------------------|--|---|
| Cut Piece (length to be determined when ordering) | No. of Picocoax® wires | Outer jacket Y: PVC | Conductor size AWG | Dielectric of the single Picocoax® wire - K: FEP C: Celloflon® | Capacitance / 10 Ex : 100pF / 10 = 10 |

Multipicocoax[®] cables

TYPE PC 128 Y

Construction

- 1 - Outer jacket
- 2 - Braided shield
- 3 - Separating tape
- 4 - 8 bundles of 18 Picocoax[®] wires
- 5 - Tensile strength fibre



Dimensions

| AXON [®] REFERENCE | SINGLE PICOACOAX [®] WIRE (1) | | NO. OF 18 PICOACOAX [®] BUNDLES ASSEMBLED WITH COLOURED FIBRE | NO. OF PICOACOAX [®] WIRES (2) (for 48 coaxials to be connected) | | OVERALL Ø (mm) (3) |
|-----------------------------|--|--------------|--|--|--------------------------|--------------------|
| | AWG | OUTER Ø (mm) | | MIN. OF CONNECTABLE COAXIALS (A) | REAL NO. OF COAXIALS (B) | |
| PC 128 Y 36 K 08 | 36 | 0.67 | 8 | 135 | 144 | 12.70 |
| PC 128 Y 36 K 10 | 36 | 0.59 | 8 | 135 | 144 | 10.70 |
| PC 128 Y 38 C 06 | 38 | 0.58 | 8 | 135 | 144 | 9.75 |
| PC 128 Y 38 K 10 | 38 | 0.52 | 8 | 135 | 144 | 9.60 |
| PC 128 Y 40 C 05 | 40 | 0.55 | 8 | 135 | 144 | 9.15 |
| PC 128 Y 40 K 08 | 40 | 0.46 | 8 | 135 | 144 | 9.30 |
| PC 128 Y 40 K 10 | 40 | 0.38 | 8 | 135 | 144 | 7.60 |
| PC 128 Y 42 C 05 | 42 | 0.42 | 8 | 135 | 144 | 7.65 |
| PC 128 Y 42 K 10 | 42 | 0.33 | 8 | 135 | 144 | 6.80 |
| PC 128 Y 44 C 04 | 44 | 0.46 | 8 | 135 | 144 | 8.20 |
| PC 128 Y 44 K 11 | 44 | 0.26 | 8 | 135 | 144 | 5.40 |
| PC 128 Y 46 K 10 | 46 | 0.25 | 8 | 135 | 144 | 4.85 |

1) To know the detailed characteristics of the single Picocoax[®] wire, please ask for the corresponding technical data sheet.

2) Axon[®] Cable assembles a number (B) of Picocoax[®] wires, of which a guaranteed number (A) of Picocoax[®] wires are connectable. Those which cannot be used are marked for easier termination.

3) The diameter can be changed, please contact us.

Electrical characteristics

| AXON [®] REFERENCE | NOM. CAPACITANCE (pF/m) | NOM. IMPEDANCE (Ω) | AXON [®] REFERENCE | NOM. CAPACITANCE (pF/m) | NOM. IMPEDANCE (Ω) |
|-----------------------------|-------------------------|--------------------|-----------------------------|-------------------------|--------------------|
| PC 128 Y 36 K 08 | 80 | 60 | PC 128 Y 40 K 10 | 100 | 50 |
| PC 128 Y 36 K 10 | 100 | 50 | PC 128 Y 42 C 05 | 50 | 80 |
| PC 128 Y 38 C 06 | 60 | 70 | PC 128 Y 42 K 10 | 100 | 50 |
| PC 128 Y 38 K 10 | 100 | 50 | PC 128 Y 44 C 04 | 40 | 95 |
| PC 128 Y 40 C 05 | 50 | 80 | PC 128 Y 44 K 11 | 110 | 50 |
| PC 128 Y 40 K 08 | 80 | 60 | PC 128 Y 46 K 10 | 100 | 50 |

Identification code

The hereafter data are required to define your product. See page 21 for complete identification code.

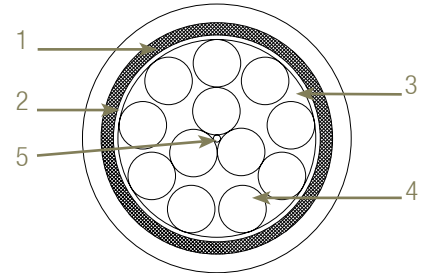
| PC | 128 | Y | 40 | K | 10 |
|---|--|-------------------------------|------------------------------|---|---|
| Cut Piece (length to be determined when ordering) | No. of Picocoax[®] wires | Outer jacket Y: PVC | Conductor size AWG | Dielectric of the single Picocoax[®] wire - K: FEP C: Celloflon [®] | Capacitance / 10 Ex : 100pF / 10 = 10 |

Multipicocoax[®] cables

TYPE PC 192 Y

Construction

- 1 - Outer jacket
- 2 - Braided shield
- 3 - Separating tape
- 4 - 12 bundles of 18 Picocoax[®] wires
- 5 - Tensile strength fibre



Dimensions

| AXON [®] REFERENCE | SINGLE PICOACOAX [®] WIRE (1) | | NO. OF 18 PICOACOAX [®] BUNDLES ASSEMBLED WITH COLOURED FIBRE | NO. OF PICOACOAX [®] WIRES (2) (for 48 coaxials to be connected) | | OVERALL Ø (mm) (3) |
|-----------------------------|--|--------------|--|--|--------------------------|--------------------|
| | AWG | OUTER Ø (mm) | | MIN. OF CONNECTABLE COAXIALS (A) | REAL NO. OF COAXIALS (B) | |
| PC 192 Y 36 K 08 | 36 | 0.67 | 12 | 201 | 216 | 15.44 |
| PC 192 Y 36 K 10 | 36 | 0.59 | 12 | 201 | 216 | 13.30 |
| PC 192 Y 38 C 06 | 38 | 0.58 | 12 | 201 | 216 | 12.60 |
| PC 192 Y 38 K 10 | 38 | 0.52 | 12 | 201 | 216 | 11.95 |
| PC 192 Y 40 C 05 | 40 | 0.55 | 12 | 201 | 216 | 11.10 |
| PC 192 Y 40 K 08 | 40 | 0.46 | 12 | 201 | 216 | 11.30 |
| PC 192 Y 40 K 10 | 40 | 0.38 | 12 | 201 | 216 | 9.05 |
| PC 192 Y 42 C 05 | 42 | 0.42 | 12 | 201 | 216 | 9.20 |
| PC 192 Y 42 K 10 | 42 | 0.33 | 12 | 201 | 216 | 8.10 |
| PC 192 Y 44 C 04 | 44 | 0.46 | 12 | 201 | 216 | 9.90 |
| PC 192 Y 44 K 11 | 44 | 0.26 | 12 | 201 | 216 | 6.75 |
| PC 192 Y 46 K 10 | 46 | 0.25 | 12 | 201 | 216 | 5.65 |

1) To know the detailed characteristics of the single Picocoax[®] wire, please ask for the corresponding technical data sheet.

2) Axon[®] Cable assembles a number (B) of Picocoax[®] wires, of which a guaranteed number (A) of Picocoax[®] wires are connectable. Those which cannot be used are marked for easier termination.

3) The diameter can be changed, please contact us.

Electrical characteristics

| AXON [®] REFERENCE | NOM. CAPACITANCE (pF/m) | NOM. IMPEDANCE (Ω) | AXON [®] REFERENCE | NOM. CAPACITANCE (pF/m) | NOM. IMPEDANCE (Ω) |
|-----------------------------|-------------------------|--------------------|-----------------------------|-------------------------|--------------------|
| PC 192 Y 36 K 08 | 80 | 60 | PC 192 Y 40 K 10 | 100 | 50 |
| PC 192 Y 36 K 10 | 100 | 50 | PC 192 Y 42 C 05 | 60 | 80 |
| PC 192 Y 38 C 06 | 60 | 70 | PC 192 Y 42 K 10 | 100 | 50 |
| PC 192 Y 38 K 10 | 100 | 50 | PC 192 Y 44 C 04 | 40 | 95 |
| PC 192 Y 40 C 05 | 50 | 80 | PC 192 Y 44 K 11 | 110 | 50 |
| PC 192 Y 40 K 08 | 80 | 60 | PC 192 Y 46 K 10 | 100 | 50 |

Identification code

The hereafter data are required to define your product. See page 21 for complete identification code.

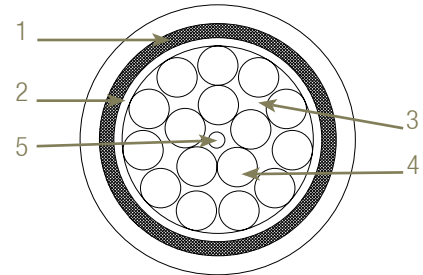
| PC | 192 | Y | 40 | K | 10 |
|---|--|-------------------------------|------------------------------|---|---|
| Cut Piece (length to be determined when ordering) | No. of Picocoax[®] wires | Outer jacket Y: PVC | Conductor size AWG | Dielectric of the single Picocoax[®] wire - K: FEP C: Celloflon [®] | Capacitance / 10 Ex : 100pF / 10 = 10 |

Multipicocoax[®] cables

TYPE PC 256 Y

Construction

- 1 - Outer jacket
- 2 - Braided shield
- 3 - Separating tape
- 4 - 16 bundles of 18 Picocoax[®] wires
- 5 - Tensile strength fibre



Dimensions

| AXON [®] REFERENCE | SINGLE PICOACOAX [®] WIRE (1) | | NO. OF 18 PICOACOAX [®] BUNDLES ASSEMBLED WITH COLOURED FIBRE | NO. OF PICOACOAX [®] WIRES (2) (for 48 coaxials to be connected) | | OVERALL Ø (mm) (3) |
|-----------------------------|--|--------------|--|--|--------------------------|--------------------|
| | AWG | OUTER Ø (mm) | | MIN. OF CONNECTABLE COAXIALS (A) | REAL NO. OF COAXIALS (B) | |
| PC 256 Y 36 K 08 | 36 | 0.67 | 16 | 267 | 288 | 18.55 |
| PC 256 Y 36 K 10 | 36 | 0.59 | 16 | 267 | 288 | 15.50 |
| PC 256 Y 38 C 06 | 38 | 0.58 | 16 | 267 | 288 | 14.10 |
| PC 256 Y 38 K 10 | 38 | 0.52 | 16 | 267 | 288 | 14.00 |
| PC 256 Y 40 C 05 | 40 | 0.55 | 16 | 267 | 288 | 13.40 |
| PC 256 Y 40 K 08 | 40 | 0.46 | 16 | 267 | 288 | 13.60 |
| PC 256 Y 40 K 10 | 40 | 0.38 | 16 | 267 | 288 | 10.60 |
| PC 256 Y 42 C 05 | 42 | 0.42 | 16 | 267 | 288 | 10.75 |
| PC 256 Y 42 K 10 | 42 | 0.33 | 16 | 267 | 288 | 9.45 |
| PC 256 Y 44 C 04 | 44 | 0.46 | 16 | 267 | 288 | 11.40 |
| PC 256 Y 44 K 11 | 44 | 0.26 | 16 | 267 | 288 | 7.80 |
| PC 256 Y 46 K 10 | 46 | 0.25 | 16 | 267 | 288 | 6.95 |

1) To know the detailed characteristics of the single Picocoax[®] wire, please ask for the corresponding technical data sheet.

2) Axon[®] Cable assembles a number (B) of Picocoax[®] wires, of which a guaranteed number (A) of Picocoax[®] wires are connectable. Those which cannot be used are marked for easier termination.

3) The diameter can be changed, please contact us.

Electrical characteristics

| AXON [®] REFERENCE | NOM. CAPACITANCE (pF/m) | NOM. IMPEDANCE (Ω) | AXON [®] REFERENCE | NOM. CAPACITANCE (pF/m) | NOM. IMPEDANCE (Ω) |
|-----------------------------|-------------------------|--------------------|-----------------------------|-------------------------|--------------------|
| PC 256 Y 36 K 08 | 80 | 60 | PC 256 Y 40 K 10 | 100 | 50 |
| PC 256 Y 36 K 10 | 100 | 50 | PC 256 Y 42 C 05 | 60 | 80 |
| PC 256 Y 38 C 06 | 60 | 70 | PC 256 Y 42 K 10 | 100 | 50 |
| PC 256 Y 38 K 10 | 100 | 50 | PC 256 Y 44 C 04 | 40 | 95 |
| PC 256 Y 40 C 05 | 50 | 80 | PC 256 Y 44 K 11 | 110 | 50 |
| PC 256 Y 40 K 08 | 80 | 60 | PC 256 Y 46 K 10 | 100 | 50 |

Identification code

The hereafter data are required to define your product. See page 21 for complete identification code.

| PC | 256 | Y | 40 | K | 10 |
|---|--|-------------------------------|------------------------------|--|---|
| Cut Piece (length to be determined when ordering) | No. of Picocoax[®] wires | Outer jacket Y: PVC | Conductor size AWG | Dielectric of the single Picocoax [®] wire - K: FEP C: Celloflon [®] | Capacitance / 10 Ex : 100pF / 10 = 10 |

>> **BRAZIL**

AXON' CABLE INDUSTRIA E COMÉRCIO LTDA

Av. Afonso Arinos de Melo Franco
222 sala 276 bloco 2b
Barra da Tijuca - CEP.: 22631-455
RIO DE JANEIRO-RJ
TEL.: +55 21 3596-8002
e-mail: l.moreira@axon-cable.com

>> **CANADA**

AXON' CABLE CANADIAN OFFICE

4578 rue Chabot
H2H 1Y3 MONTREAL, QUEBEC
TEL.: +1 514 898 2044
e-mail: g.hannequin@axoncable.com

>> **CHINA**

AXON' INTERCONNECT LTD

High Tech Industrial Park,
Chang Bao XI Road
Ronggui, 528306
SHUNDE, GUANGDONG
TEL.: +86 757 2838 7200
FAX: +86 757 2838 7212
e-mail: sales@axon-interconnect.com

>> **GERMANY**

AXON' KABEL GMBH

Postfach 1131 - 71201 LEONBERG
Hertichstr. 43 - 71229 LEONBERG
TEL.: +49 7152-97992-0
FAX: +49 7152-97992-7
e-mail: sales@axon-cable.de

>> **HUNGARY**

AXON' KÁBELGYÁRTÓ KFT.

KÜLSŐ-SZEGEDI ÚT 104.
H-6000 KECSKEMÉT,
TEL.: +36 76 508 195
FAX: +36 76 508 196
e-mail: axon@axon-cable.hu

>> **INDIA**

AXON' INTERCONNECTORS AND WIRES PVT LTD

#117, Neil Rao Towers, Suite No. 1W,
Road No. 3 EPIP, Whitefield
BANGALORE - 560 066
TEL.: +91 80 40918186
FAX: +91 80 40918185
e-mail: sales@axon-cable.in

>> **JAPAN**

AXON' CABLE JAPAN OFFICE

TEL./FAX: +81 26 244 2261
e-mail: axon-japan@axon-cable.com

>> **LATVIA**

AXON' CABLE SIA

Višku Iela, 21 C - LV-5410 DAUGAVPILS
TEL.: +371 6540 78 91
FAX: +371 6540 78 93
e-mail: axon@axoncable.lv

>> **MEXICO**

AXON' INTERCONEX, S.A. DE C.V.

Av. Peñuelas 21-A1.
Industrial San Pedrito Peñuelas
Querétaro Park
76148 Querétaro, Qro.
TEL: +52 442 215 2713
FAX: +52 442 220 6464
e-mail: axon-mexico@axoncable.com

>> **SPAIN**

AXON' CABLE SPANISH OFFICE

C/Capitán Haya, Nº1, Planta 15
28020 MADRID
TEL.: +34 91 418 43 46
FAX: +34 91 556 28 80
e-mail: sales@axon-cable.com

>> **UNITED KINGDOM**

AXON' CABLE LTD

AXON' AGORA

Admiralty Park - ROSYTH DUNFERMLINE
FIFE KY11 2YW
TEL.: +44 1383 421500
FAX: +44 8715 282789
e-mail: sales@axon-cable.co.uk

>> **USA**

AXON' CABLE INC.

1314 N Plum Grove Road
SCHAUMBURG, IL. 60173
TEL.: +1 847 230 7800
FAX: +1 847 230 7849
e-mail: sales@axoncable.com

VISIT OUR WEBSITE

www.axon-cable.com



FOLLOW US



axon'
cable & interconnect

HEADQUARTERS

>> France

>> **AXON' CABLE S.A.S.**

ROUTE DE CHALONS EN CHAMPAGNE - 51210 MONTMIRAIL

TEL : +33 3 26 81 70 00 - FAX : +33 3 26 81 28 83

e-mail : sales@axon-cable.com - <http://www.axon-cable.com>